

Lithium Coin Cell - CR 2050 HT



- Designed for High Temperature Environment
- Especially for automotive devices such as TPMS or ETC
- Low self-discharge
- Long shelf life
- UN 38.3 tested
- Wide assortment of mounting options and wire terminals available



RoHS compliant



Pb free



REACH compliant

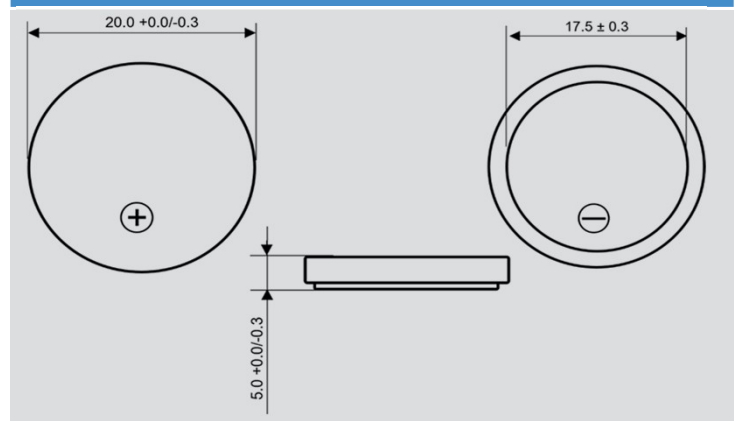


Conflict mineral free

SPECIFICATIONS

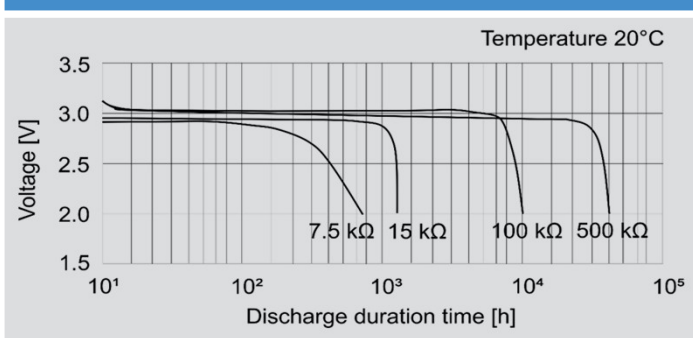
Jauch part number	252296
Nominal Voltage	3V
Nominal Capacity	300 mAh
Continuous Standard Load	15 kΩ
Standard Current	0.4 mA
Max. Pulse Current	7.5 mA
Operating Temperature	-40°C to +125°C
Weight	Approx. 4.5 g
Chemistry	Li/MnO ₂

DIMENSIONS [mm]

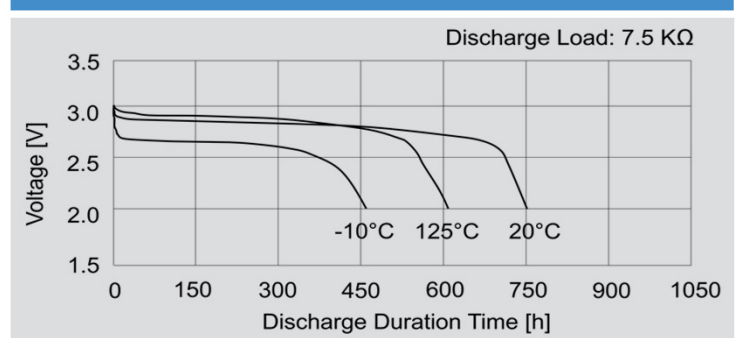


Note: Capacity 300mAh is obtained at standard cc load to 2.0V at 23°C.

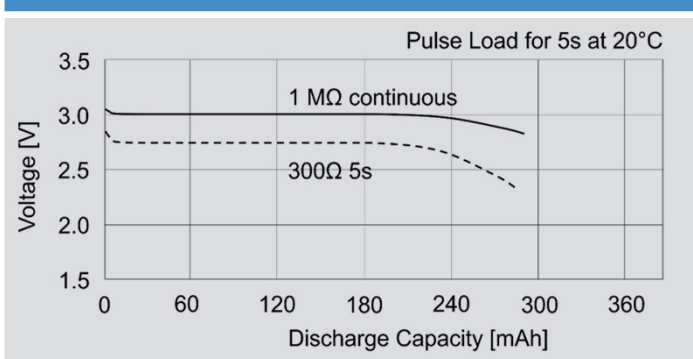
DISCHARGE CHARACTERISTICS



DISCHARGE CHARACTERISTICS



PULSE DISCHARGE CHARACTERISTICS



DISCHARGE CHARACTERISTICS

