

# Lithium Coin Cell - CR 2032 V2



RoHS compliant



Pb free

- Reliable energy for your application
- Standard cells and customized packs
- ESD protection
- UL recognized



REACH compliant



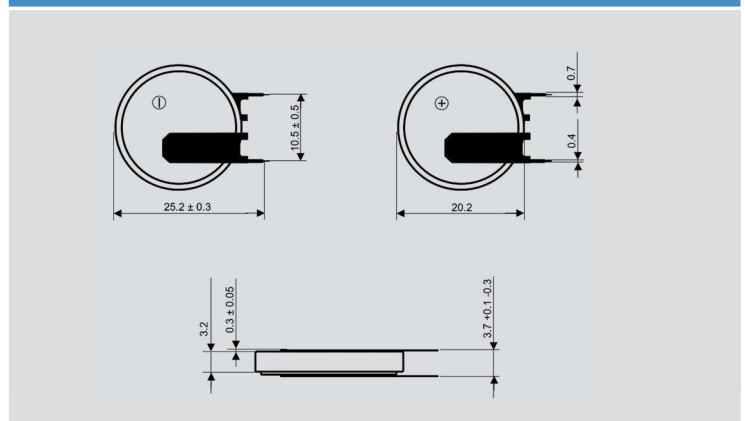
Conflict mineral free

## SPECIFICATIONS

Jauch part number	249431
Nominal Voltage	3V
Nominal Capacity	240 mAh
Standard Load	15 k $\Omega$
Standard Current	0.2 mA
Max. Continuous Current	3 mA
Max. Pulse Current	15 mA
Operating Temperature	-20°C to +60°C *
Weight	Approx. 2.9 g
Chemistry	Li/MnO <sub>2</sub>
UL1642	MH10136

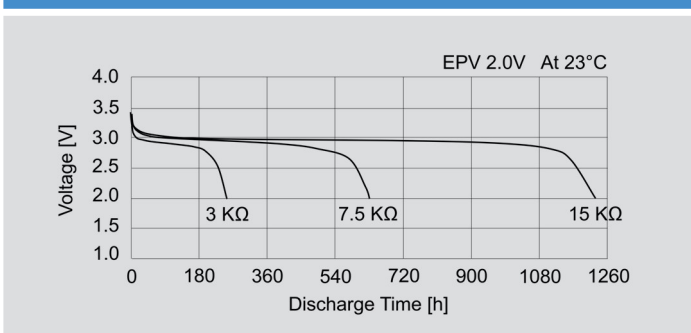
Note: Capacity 240mAh is obtained at standard cc load to 2.0V at 23°C.

## DIMENSIONS [mm]

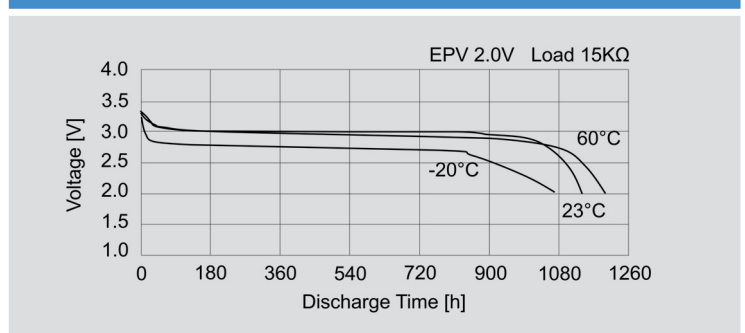


\* In applications where the battery is exposed to temperatures >60°C, please contact Jauch.

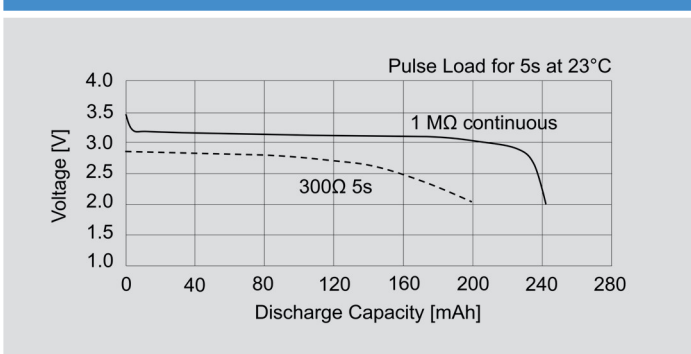
## DISCHARGE CHARACTERISTICS



## TEMPERATURE CHARACTERISTICS



## PULSE DISCHARGE CHARACTERISTICS



## LOAD VS: CAPACITY

