

代码编制规则 Part Number

1	2	3	4	5	6	7	8	9	10	11	12	13	14	15	16	17	18	19
F	C	C	4	F	A	G	6	0	6	K	D	1	2	5	2	1	0	A
电容器类型 Capacitor Type	产品外形 Product Shape	额定电压代码 Rated Voltage Code(AC)	系列代码 Series Code		容量代码 Capacitance Code	容量偏差 Capacitance Tolerance	直径 Diameter	高度 Height	引出端子 Terminals	引出端子间距 Terminals Pitch	底部螺栓 Bottom Bolt	图号 Style						
FC=薄膜电容器 FC=Film Capacitor	圆柱型=C Column=C	450=4F	CBB65=AG		2=205	±5%=J	40=A	55=055	4pin=4	16=B	无=0 Without=0	Style A=A						
					3.2=325	±10%=K	45=B	60=060	2pin=2	18=1	有=1 With=1	Style B=B						
					4.5=455	-15~0%=P	50=D	65=065	2+4=3	20=2								
					10=106	Special=S	55=C	75=075										
					40=406		60=F	85=085										
					55=556		63=E	100=100										
					70=706			110=110										
					100=107			125=125										

Features

- Used in air-conditioner as motor starting or running
- PP film design, good temperature characteristics
- Stable capacity
- Overpressure disconnecter device, 10k AFC
- Fast-on terminals
- Self-healing property
- Aluminum case, filled with plant oil

特点

- 用在空调器上, 作马达启动或运转用
- 采用聚丙烯薄膜, 温度特性好
- 容值稳定, 变化率小
- 过压力断开装置, 10KA故障电流
- 快速插拔式接线端子
- 有自愈性
- 铝壳, 浸渍植物油

Applications

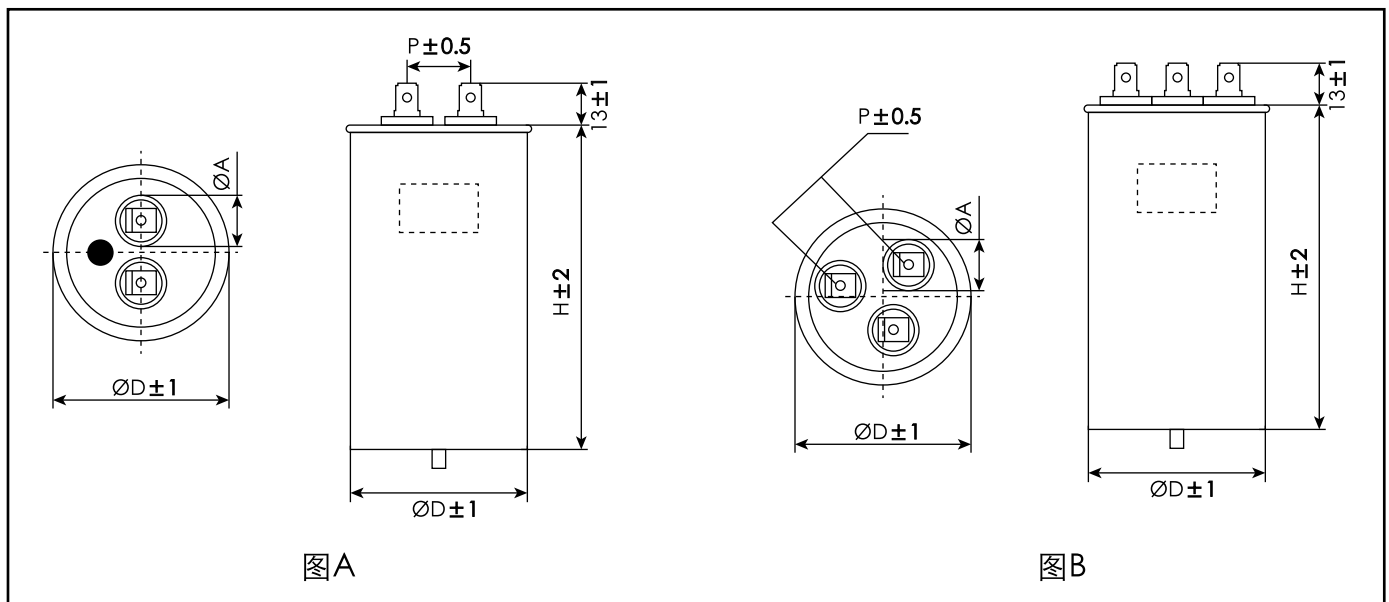
■ For general AC applications, mainly as motor starting in air-conditioner

应用场合

■ 一般交流应用, 主要用在马达启动如空调器

外形图 Dimensions

Unit: mm



图A

图B

标识 Marking

	1
CBB65	2
60µF ± 10%	3
$U_R = 450V_{AC} SH$	4
$U_{TC} = 2000V \quad 50/60Hz$	5
-40~+70°C IEC60252-1	6
Discharge before handling	7
J67F26	8

NO.	项目 Item
1	商标 Brand
2	产品系列 Products series
3	容量和偏差 Capacitance and Tolerance
4	额定电压和自愈性 Rated voltage and Self-healing property
5	端子与铝壳电压 U_{TC} Voltage Between Terminals and Case
6	温度范围 Temperature Range 引用标准 Reference Standard
7	安全警示 Safety Warning
8	日期代码 Date code

性能特性 Specifications

项目 Item	特性 Characteristics
引用标准 Reference Standard	GB/T 3667(IEC 60252-1)
气候类别 Climatic Category	40/70/21
工作温度范围 Operating Temperature Range	-40~+70 °C [$\theta_{\text{hotspot}} \leq 85^\circ\text{C}$]
存储温度范围 Storage Temperature Range	-40~+85°C
额定电压 U_r Rated Voltage	250~450V _{AC}
电容量范围 Capacitance Range	2~100 μF
电容量偏差 Capacitance Tolerance	$\pm 5\%$ (J), $\pm 10\%$ (K)
端子与端子电压 U_T Voltage Between Terminals	2.15 U_N (V _{DC}), 10s(20 °C)
端子与铝壳电压 U_{TC} Voltage Between Terminals and Case	2000 V _{AC} , 10s (20°C, 50Hz)
介质损耗角正切 Dielectric Dissipation Factor	0.0002
绝缘电阻 Insulation Resistance	$\geq 3000\text{M}\Omega \cdot \mu\text{F}$ (20°C, 100V _{DC} , 1min)
预期寿命 Life Expectancy	A级 30000 hours B级 10000 hours C级 3000 hours
失效率 Failure Rate	100 FIT

规格标准 Standard Ratings

U_r (Vac)	C_r (μF)	P/N	D (mm)	D1 (mm)	H (mm)	P (mm)
450	2	FCC4FAG205*A055*10A	40	43	55	16
	2.2	FCC4FAG225*A055*10A	40	43	55	16
	3	FCC4FAG305*A055*10A	40	43	55	16
	3.2	FCC4FAG325*A055*10A	40	43	55	16
	3.5	FCC4FAG355*A055*10A	40	43	55	16
	4	FCC4FAG405*A055*10A	40	43	55	16
	4.5	FCC4FAG455*A055*10A	40	43	55	16
	5	FCC4FAG505*A055*10A	40	43	55	16
	6	FCC4FAG605*A055*10A	40	43	55	16
	7	FCC4FAG705*A055*10A	40	43	55	16
	7	FCC4FAG705*A065*10A	40	43	65	16
	7.5	FCC4FAG755*A055*10A	40	43	55	16
	7.5	FCC4FAG755*A065*10A	40	43	65	16
	8	FCC4FAG805*A055*10A	40	43	55	16
	8	FCC4FAG805*A065*10A	40	43	65	16
	8	FCC4FAG805A060*10A	40	43	60	16
	9	FCC4FAG905*A075*10A	40	43	75	16
	10	FCC4FAG106*A075*10A	40	43	75	16
	10	FCC4FAG106*A060*10A	40	43	60	16
	10	FCC4FAG106*C065*10A	55	58	65	20
	12	FCC4FAG126*A100*10A	40	43	100	16
	12	FCC4FAG126*A065*10A	40	43	65	16
	13	FCC4FAG136*A100*10A	40	43	100	16
	14	FCC4FAG146*A100*10A	40	43	100	16
	15	FCC4FAG156*A085*10A	40	43	85	16
	17	FCC4FAG176*A100*10A	40	43	100	16
	25	FCC4FAG256*D075*20A	50	53	75	18
	30	FCC4FAG306*D085*20A	50	53	85	18
	40	FCC4FAG406*D100*20A	50	53	100	18
	45	FCC4FAG456*D110*20A	50	53	110	18
	45	FCC4FAG456*D100*20A	50	53	100	18
	45	FCC4FAG456*B125*10A	45	48	125	18
	45	FCC4FAG456*F085*10A	60	63	85	20
	50	FCC4FAG506*D110*10A	50	53	110	18
	50	FCC4FAG506*B125*10A	45	48	125	18
	50	FCC4FAG506*F085*10A	60	63	85	20
	55	FCC4FAG556*C110*10A	55	58	110	20
	55	FCC4FAG556*D125*10A	50	53	125	18
	60	FCC4FAG606*D125*10A	50	53	125	18
	60	FCC4FAG606*C125*10A	55	58	125	20
70	FCC4FAG706*C125*10A	55	58	125	20	
80	FCC4FAG806*F125*10A	60	63	125	20	
100	FCC4FAG107*F125*10A	60	63	125	20	
100	FCC4FAG107*E125*10A	63	66	125	20	

可根据客户要求定制。Customer products are available on request.