

代码编制规则 Part Number

1	2	3	4	5	6	7	8	9	10	11	12	13	14	15	16	17	18
F	C	S	2	S	D	M	2	2	8	K	A	0	0	1	0	2	1
电容器类型 Capacitor Type	产品外形 Product Shape	额定电压代码 Rated Voltage Code	系列代码 Series Code		容量代码 Capacitance Code		容量偏差 Capacitance Tolerance		尺寸特征码 Dimension characteristic code			端子孔规格 Size of terminal hole		端子间距 Terminal spacing		安装孔 Mounting hole	
FC=薄膜电容器 FC=Film Capacitor	方形=S Square =S	450=2W	CBB135=DV		70=706		±5%=J		B001			ø6.5=0		19=1		有=1 With=1	
		500=2H			300=307		±10%=K		B002			ø5.5=3		22=2		无=0 Without=0	
		600=2S			420=427		Special=S		B003			M6=1					
		700=2Q			850=857					M5=2							
		800=2K			1000=108												
		900=R2															

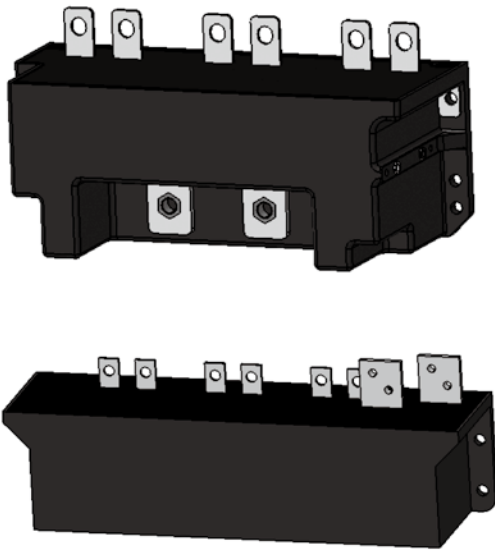
Features

- PP film design, good temperature characteristics
- Stable capacity
- Low ESR, high ripple current handling capabilities
- Self-healing property
- Plastic case, filled with fire-retardant resin

Applications

- Transportation: HEV or EV

外形图 Dimensions



特点

- 采用聚丙烯薄膜，温度特性好
- 容值稳定，变化率小
- 等效串联电阻小，能承受较大的纹波电流
- 有自愈性
- 塑料外壳，阻燃树脂灌封

应用场合

- 交通工具，如：电动车和混合动力车



标识 Marking

	—	1
CBB135	—	2
FCS2KDV857KB024011	—	3
850 μ F \pm 10%	—	4
U _R =800 VDC SH	—	5
Discharge before handling	—	6
J37F26104	—	7

NO.	项目 Item
1	商标 Brand
2	产品系列 Products series
3	产品代码 Products code
4	容量和偏差 Capacitance and Tolerance
5	额定电压和自愈性 Rated voltage and Self-healing property
6	安全警示 Safety warning
7	年度标记 Year code 二维码 QR Code

性能特性 Specifications

项目 Item	特性 Characteristics
引用标准 Reference Standard	GB/T 17702 (IEC 61071)
气候类别 Climatic Category	40/105/56
工作温度范围 Operating Temperature Range	-40~+105°C ($\theta_{\text{hotspot}} \leq 105^\circ\text{C}$) $\theta_{\text{hotspot}}=85^\circ\text{C} \sim 105^\circ\text{C}$: decreasing factor 1.5% per°C for U_N (dc)
存储温度范围 Storage Temperature Range	-40~+105°C
额定电压 U_R Rated Voltage	450~800V _{DC}
电容量范围 Capacitance Range	300~1000 μF
电容量偏差 Capacitance Tolerance	$\pm 5\%$ (J), $\pm 10\%$ (K)
端子与端子电压 U_{TT} Voltage Between Terminals	$1.5 \times U_R V_{DC}$, 10s (20 °C)
端子与铝壳电压 U_{TC} Voltage Between Terminals and Case	$> 3000V_{AC}$, 10s (20°C, 50Hz)
介质损耗角正切 Dielectric Dissipation Factor	$\leq 2 \times 10^{-4}$
绝缘电阻 Insulation Resistance	$IR \cdot C \geq 10000\text{s}$ (20°C, 100V _{DC} , 1min)
过电压 Over Voltage	$1.1U_R$ (30% of on-load-duration)
	$1.15U_R$ (30 min/day)
	$1.2U_R$ (5 min/day)
	$1.3U_R$ (1 min/day)
	$1.5U_R$ (30 ms every time, 100ms/day)
预期寿命 Life Expectancy	10年/300000km
失效率 Failure Rate	100 FIT

规格标准 Standard Ratings

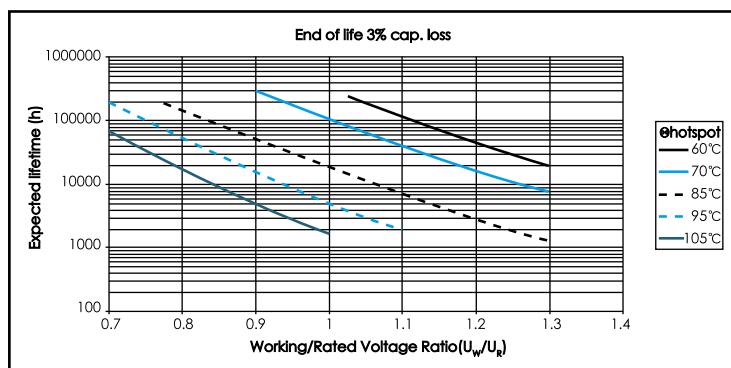
U_R (V)	C_R (μF)	P/N	I_{max} 85°C 10KHz(A)	\hat{i} (A)	R_s (m Ω)	W (mm)	H (mm)	T (mm)	L_s (nH)
450	400	FCS2WDV407*B156021Y	100	2000	0.5	249	47	50	15
450	1000	FCS2WDV108*B025011	150	4000	0.6	268	53	101.6	30
500	500	FCS2HDV507*B101021	90	2500	0.8	206	42	72	15
500	500	FCS2HDV507*B191021Y	130	2500	0.45	197	78.5	40	18
500	700	FCS2HDV707*B194811	130	7000	0.5	214	42	82	15
500	850	FCS2HDV857*B010811	180	5500	0.5	275	72	70	15
600	450	FCS2SDV457*B109021	125	3300	0.42	188	57	56	18
800	300	FCS2KDV307*B109021	125	3000	0.5	188	57	56	18
800	400	FCS2KDV407*B059121	110	2000	0.6	193	76	79	20
800	420	FCS2KDV427*B009021	100	4000	0.65	210	81	72	15
800	500	FCS2KDV507*B010021	150	4000	0.6	275	72	70	15
800	500	FCS2KDV507*B051021	160	6000	0.6	194.5	69.5	100	30
800	560	FCS2KDV567*B037021	200	8000	0.4	209.5	84.5	101	24
800	850	FCS2KDV857*B018021	200	8000	0.4	376	97	67	20
800	850	FCS2KDV857*B166021	200	8000	0.4	361	70	65	15
800	900	FCS2KDV907*B114231	180	4500	0.5	291	219	40	20
800	1000	FCS2KDV108*B015021	160	4000	0.8	268	68	101.6	30

注：详细的产品说明和外形尺寸图，请索取产品规格书

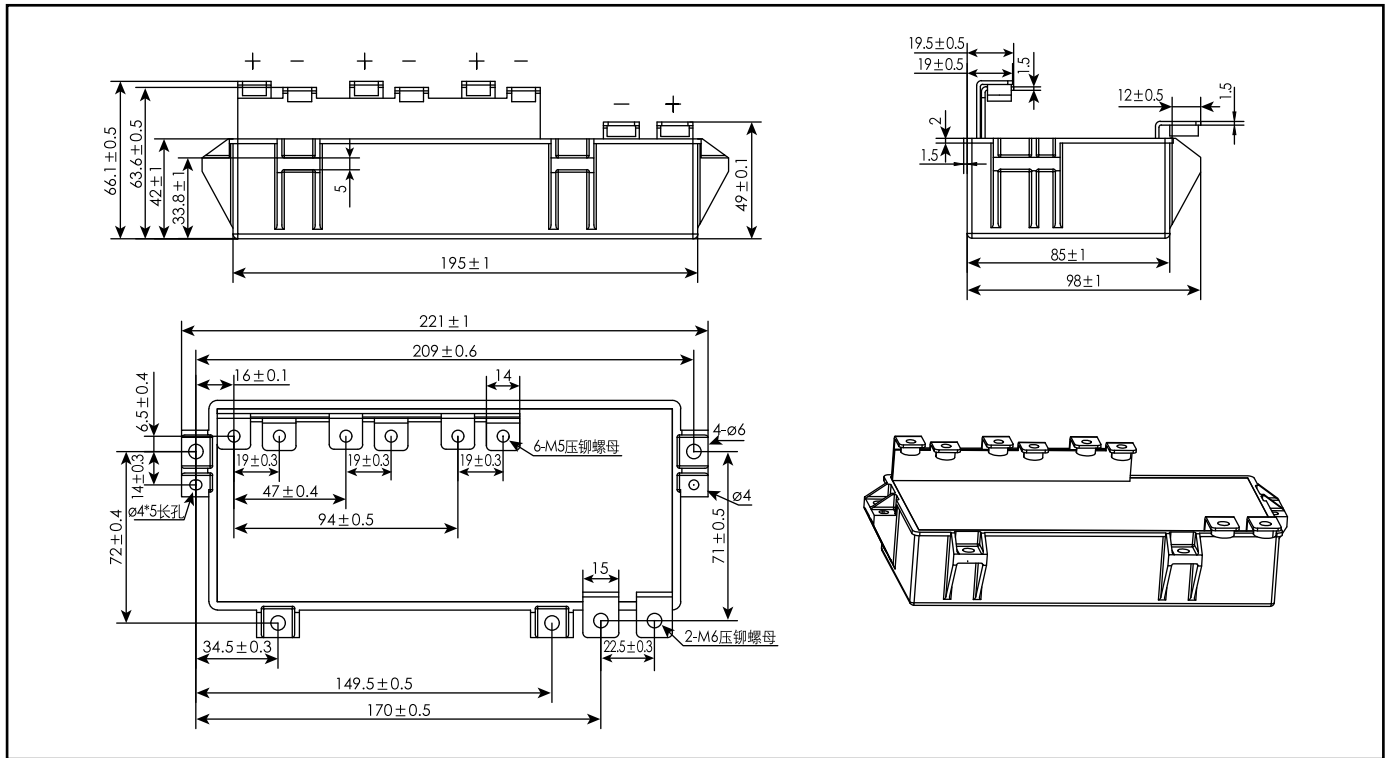
Note: For detail description and outline drawing of product, please see the specifications.

根据客户要求定制。Customer products are available on request.

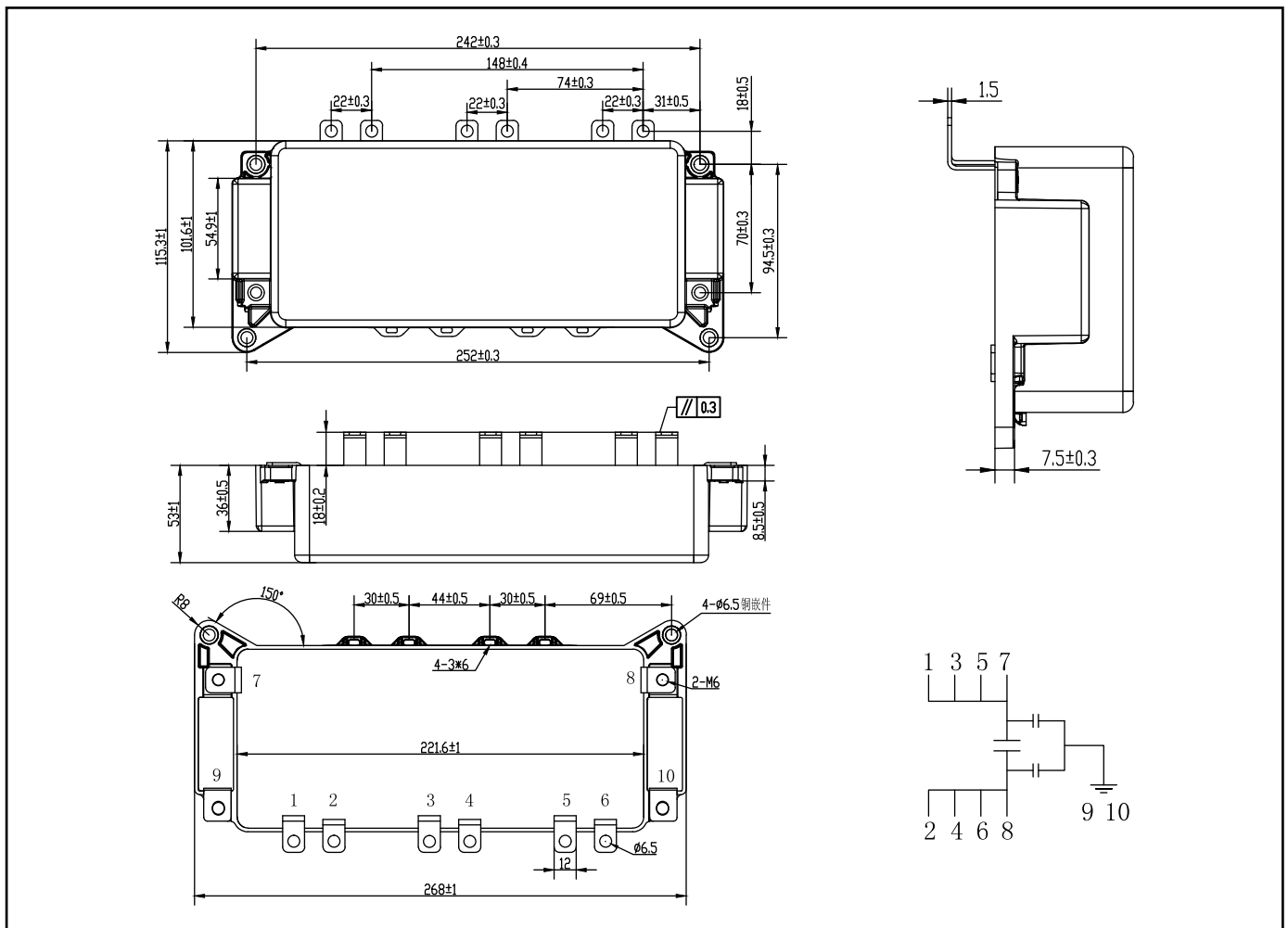
预期寿命曲线 Expected lifetime curve



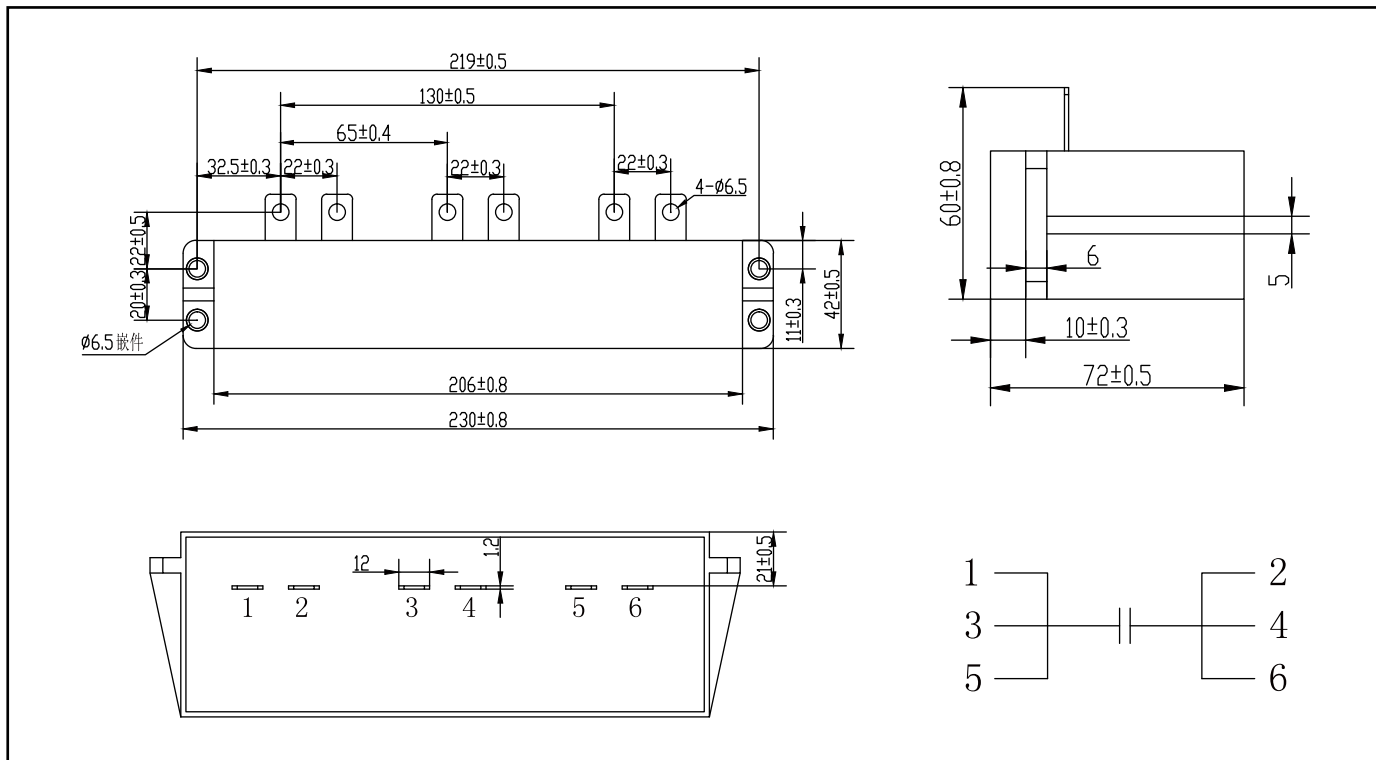
图一 Style 1



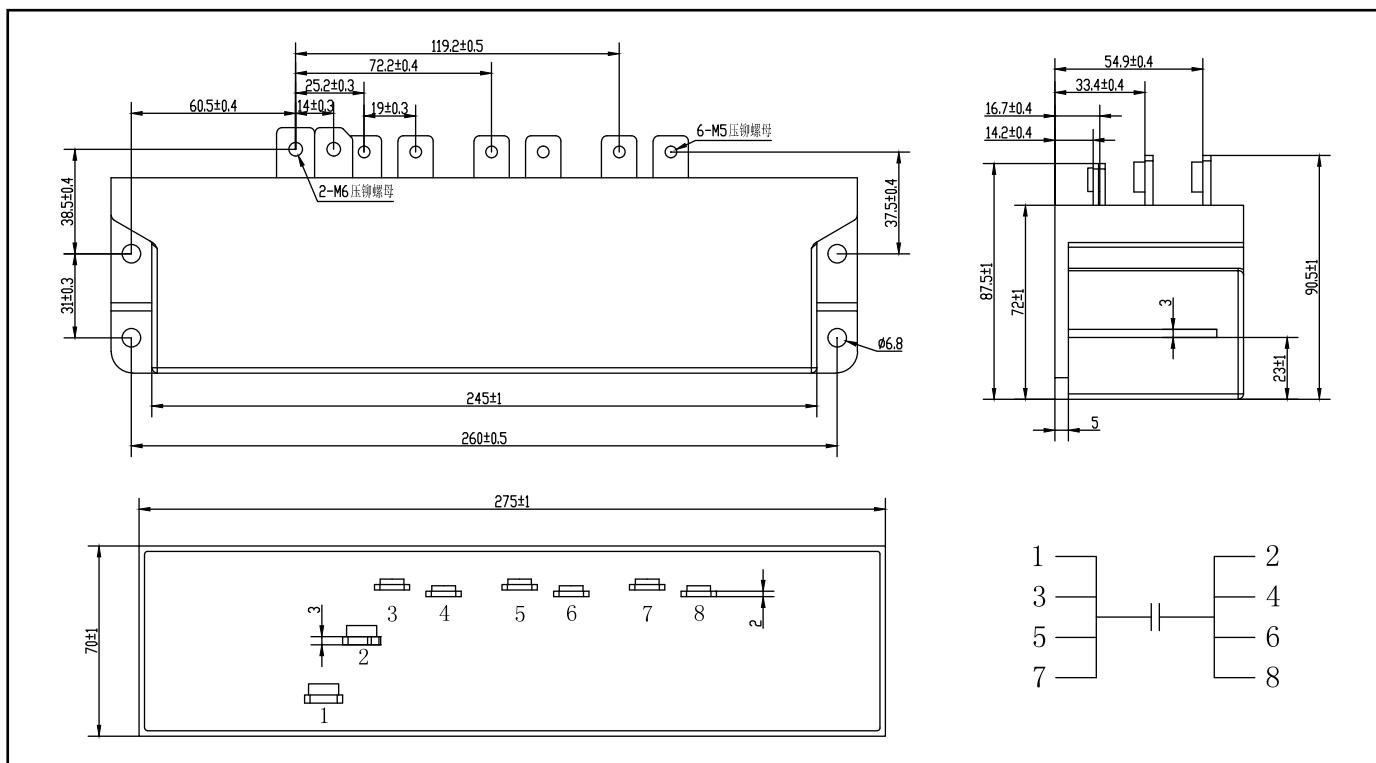
图二 Style 2



图三 Style 3

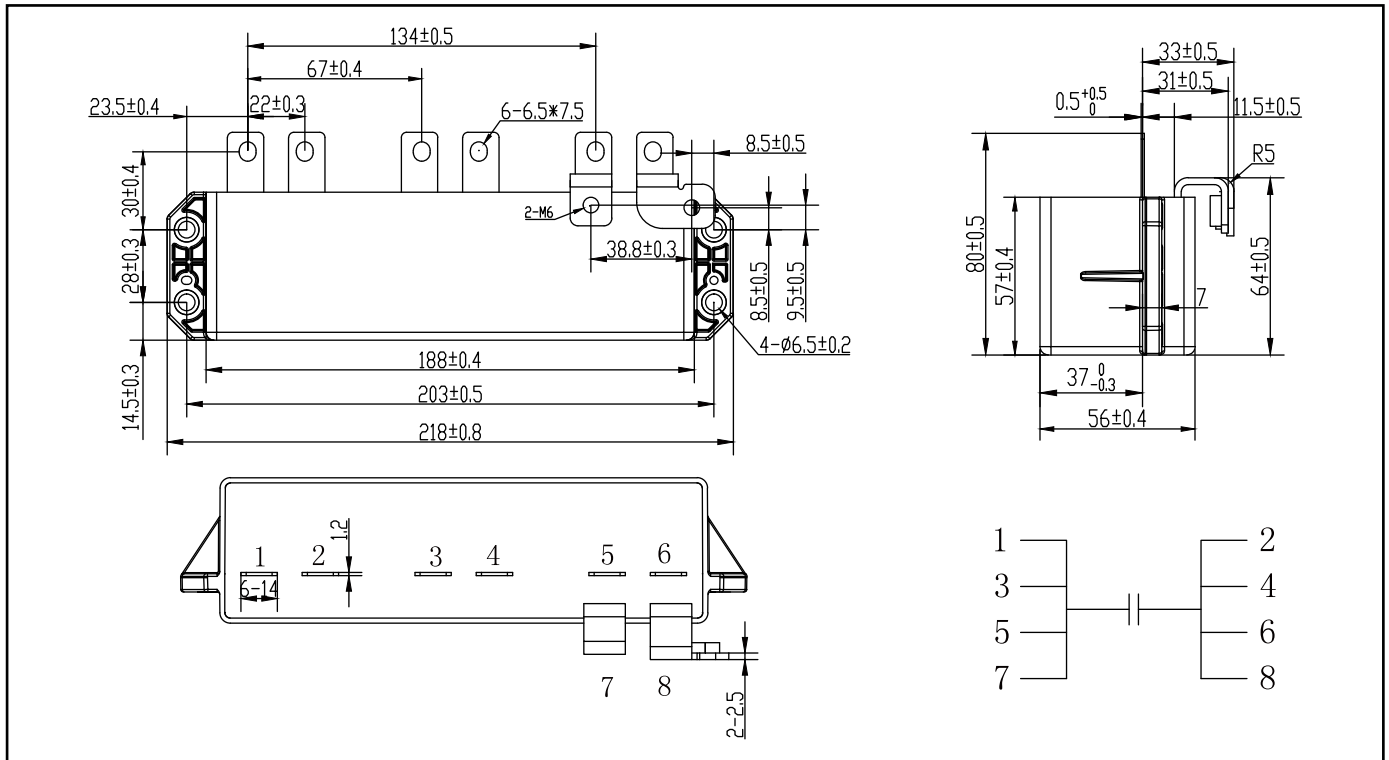


图四 Style 4

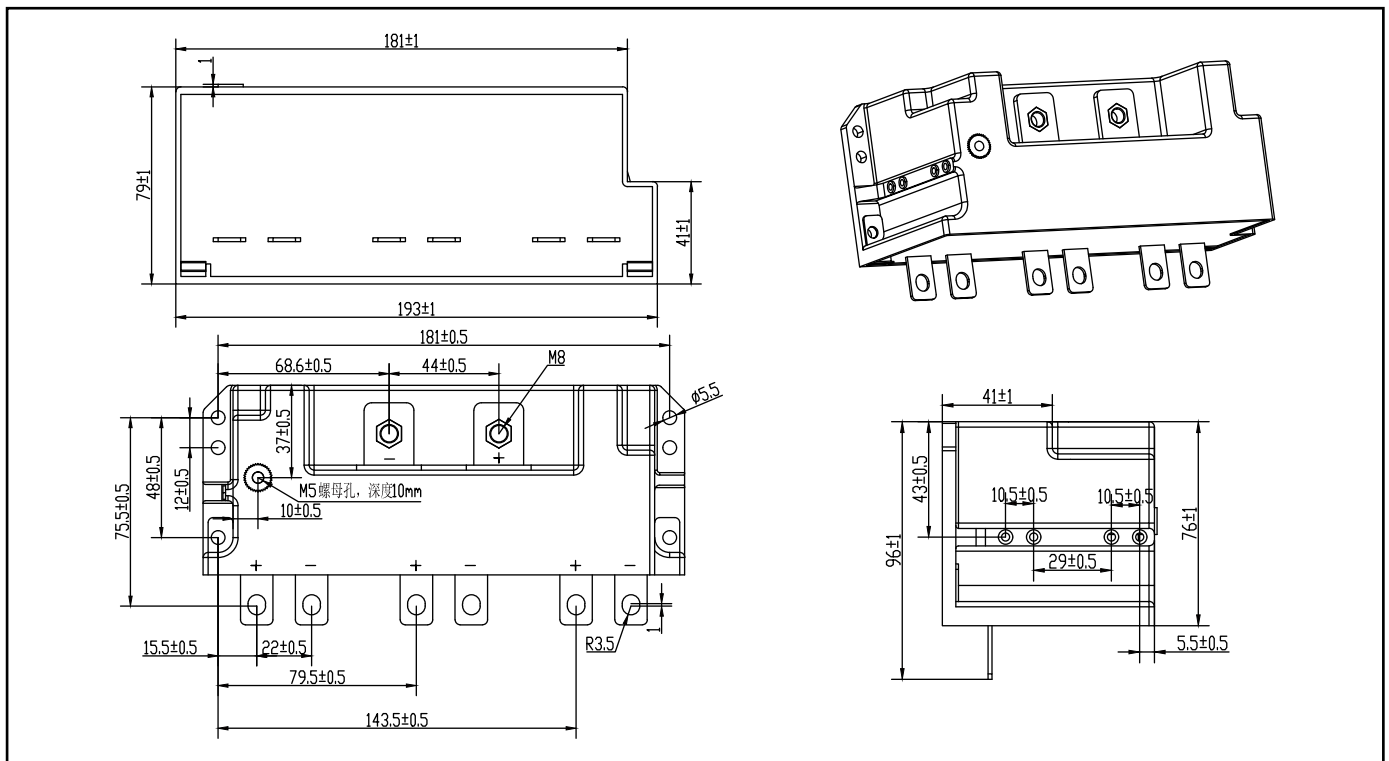


FILM

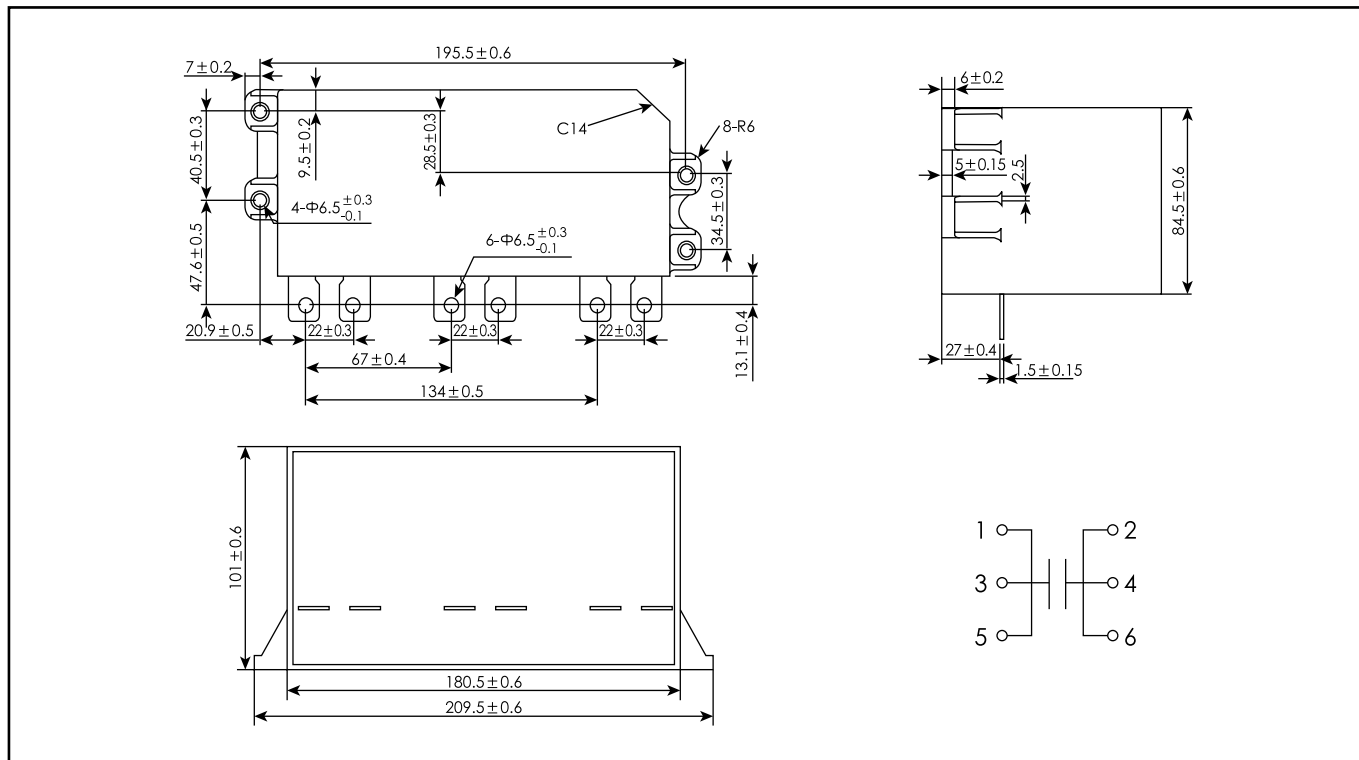
图五 Style 5



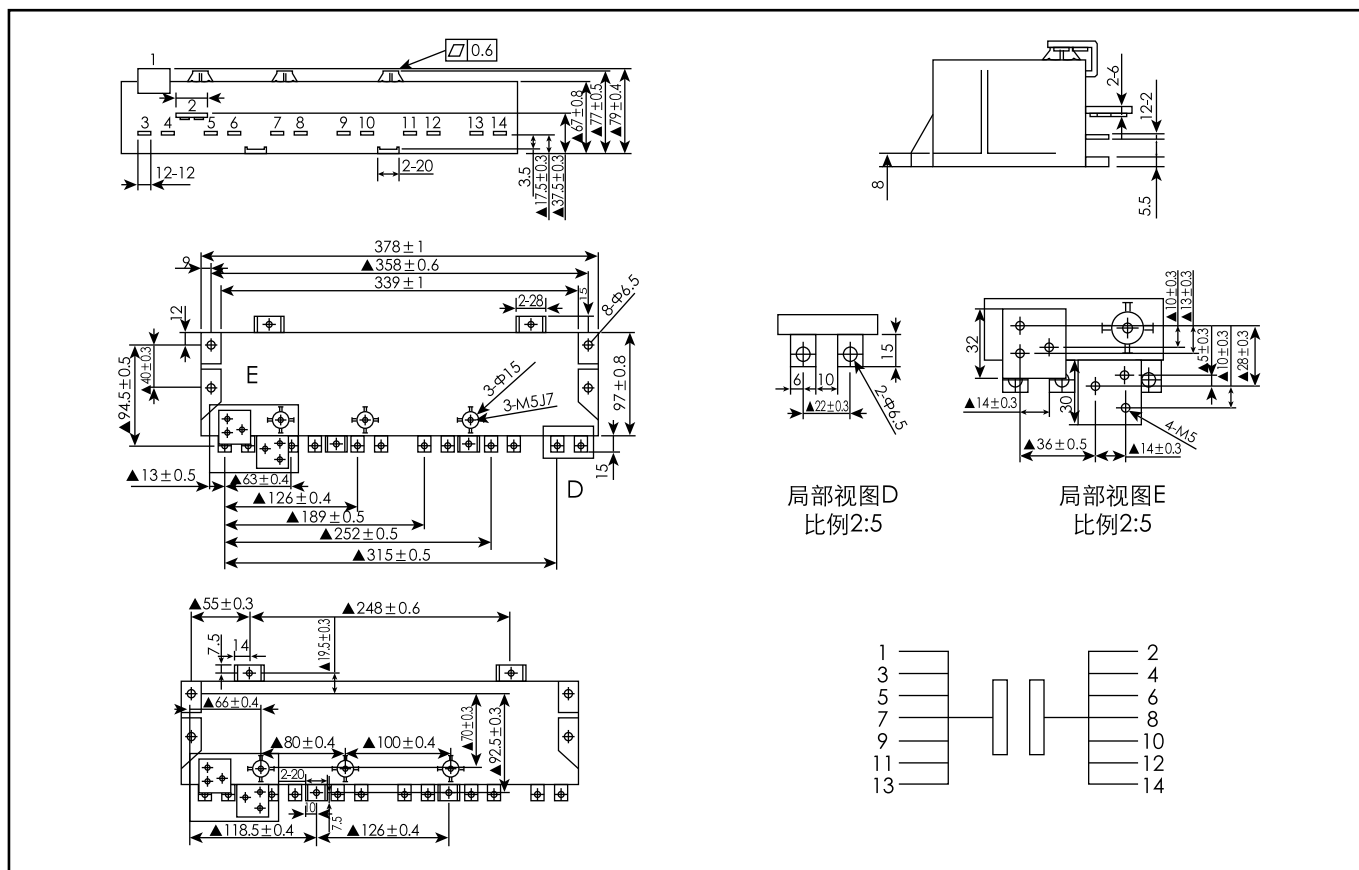
图六 Style 6



图七 Style 7



图八 Style 8



FILM