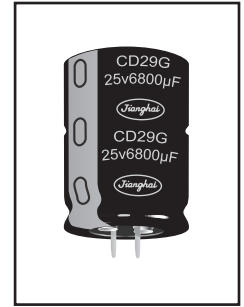
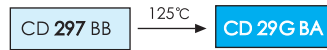


CD 29G BA SERIES



5000h at 125°C

- Long Life at High Temperature
- High Ripple Current
- Professional Power Supplies



SNAP-IN/LUG

Items	Characteristics										
Operating Temperature Range (°C)	-40 ~ +125										
Voltage Range (V)	25 ~ 63										
Capacitance Range (µF)	1000 ~ 18000										
Capacitance Tolerance (20°C, 120Hz)	± 20%										
Leakage Current (µA)	After 5 minutes at 20°C application of rated voltage, leakage current is not more than 0.01CV or 1.5mA, whichever is smaller. C: Nominal Capacitance (µF) V: Rated Voltage (V)										
Dissipation Factor (20°C, 120Hz)	<table border="1"> <tr> <td>Rated Voltage (V)</td> <td>25</td> <td>35</td> <td>50</td> <td>63</td> </tr> <tr> <td>Tan δ (max)</td> <td>0.20</td> <td>0.15</td> <td>0.10</td> <td>0.10</td> </tr> </table>	Rated Voltage (V)	25	35	50	63	Tan δ (max)	0.20	0.15	0.10	0.10
	Rated Voltage (V)	25	35	50	63						
Tan δ (max)	0.20	0.15	0.10	0.10							
Resistance to vibrations	Snap-in type with 3 terminals, the capacitor shall be clamped by its body. <table border="1"> <tr> <td>Frequency range</td> <td>10 - 2000 Hz</td> </tr> <tr> <td>Amplitude</td> <td>0.75mm</td> </tr> <tr> <td>Acceleration max.</td> <td>10g</td> </tr> <tr> <td>Duration</td> <td>x2 hours.</td> </tr> </table>	Frequency range	10 - 2000 Hz	Amplitude	0.75mm	Acceleration max.	10g	Duration	x2 hours.		
Frequency range	10 - 2000 Hz										
Amplitude	0.75mm										
Acceleration max.	10g										
Duration	x2 hours.										

Lifetime	Useful Life		Load Life	Endurance Test	Shelf Life		
		10000h	≥ 300000h	5000h	5000h	1000h	4000h
Leakage Current	Not more than specified value		Not more than specified value	Not more than specified value	Not more than specified value		
Capacitance Change	Within ± 30% of initial value		Within ± 20% of initial value	Within ± 20% of initial value	Within ± 20% of initial value		
Dissipation Factor	Not more than 300% of specified value		Not more than 200% of specified value	Not more than 200% of specified value	Not more than 200% of specified value		
Condition: Applied Voltage Applied Current Applied Temperature	U_R I_R 125°C	U_R $1.4 \times I_R$ 60°C	U_R I_R 125°C	U_R $I_R = 0$ 125°C	$U_R = 0$ $I_R = 0$ 125°C	$U_R = 0$ $I_R = 0$ 105°C	$U_R = 0$ $I_R = 0$ 40°C
	After test: U_R to be applied for 30min, >24h before measurement						

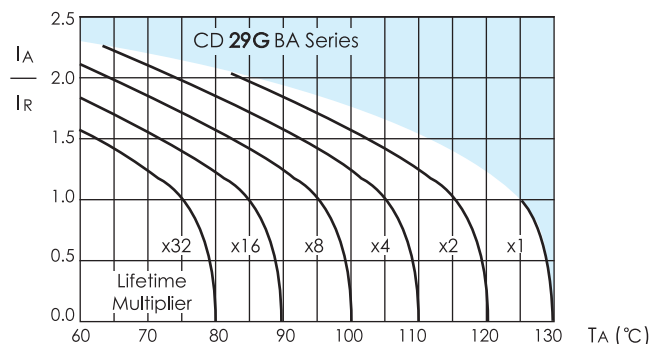
Frequency Coefficient

Frequency (Hz)	50/60	120	300	1K	≥ 10K
Coefficient	0.56	0.7	0.83	0.92	1.00

Temperature Coefficient

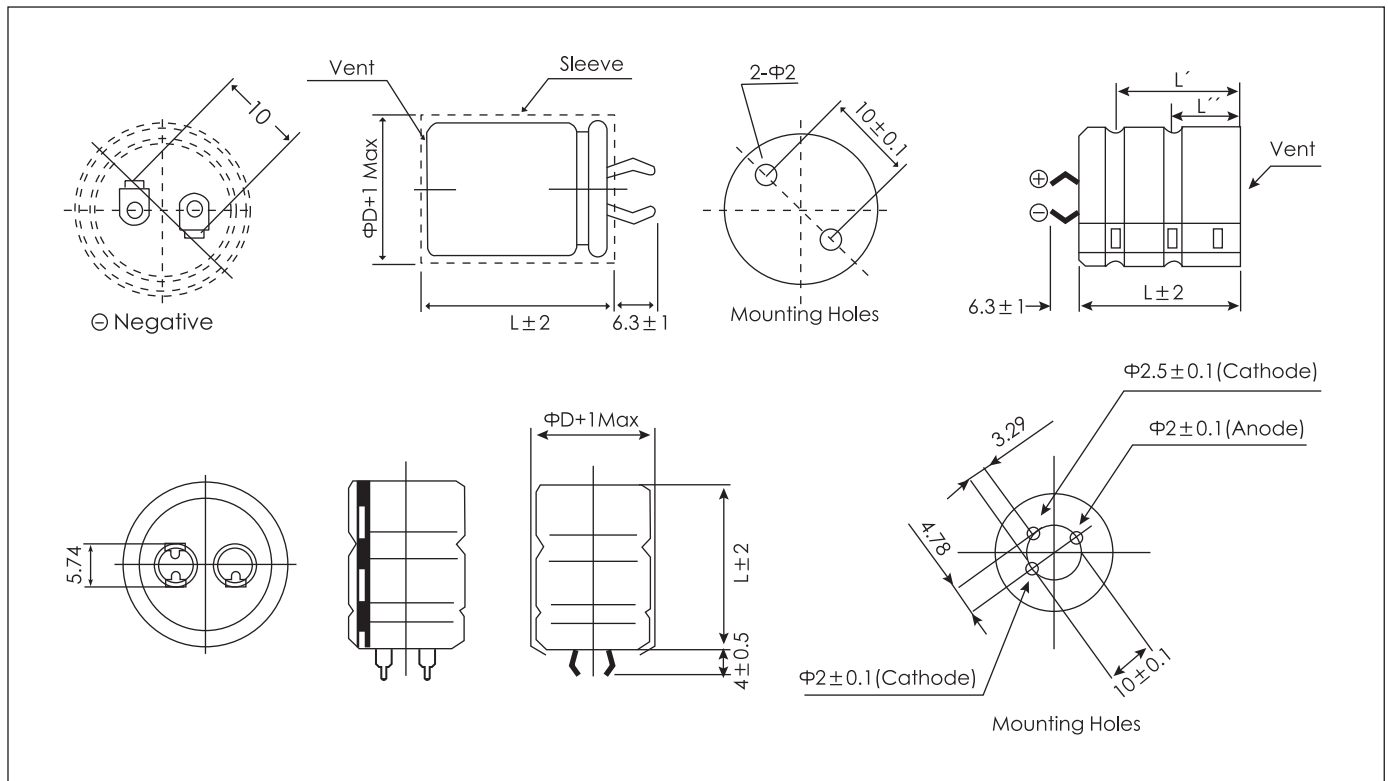
Temperature(°C)	+60	+85	+105	+125
Coefficient	2.3	2.0	1.7	1.0

Lifetime Diagram



I_A = actual ripple current at 10KHz, I_R = rated ripple current at 10KHz, 125°C
Multiplier of Useful Life as a function of ambient temperature and ripple current load

Dimensions



SNAP-IN/LUG

Ratings for CD 29G BA Series

U_r (Surge Voltage) Code	Rated Capacitance	Max ESR 20°C, 120Hz	Max ESR 20°C, 10kHz	Rated Ripple Current 125°C, 10kHz	Size $\Phi D \times L$	P/N
(V)	(μF)	(m Ω)	(m Ω)	(Arms)	(mm)	-
25 (32) 1E	3900	34	32	4.5	25 × 35	ECS1EBA392M□□250035
	5600	27	23	5.3	25 × 40	ECS1EBA562M□□250040
	6800	19	15	6.9	25 × 40	ECS1EBA682M□□250040
	10000	14	12	8.8	25 × 50	ECS1EBA103M□□250050
	12000	12	11	9.6	30 × 50	ECS1EBA123M□□300050
	18000	11	10	9.7	35 × 50	ECS1EBA183M□□350050
35 (44) 1V	2200	45	32	4.5	25 × 35	ECS1VBA222M□□250035
	3300	31	24	5.0	22 × 40	ECS1VBA332M□□220040
	3900	22	15	7.0	25 × 40	ECS1VBA392M□□250040
	5600	16	11	9.1	25 × 50	ECS1VBA562M□□250050
	6800	14	11	9.5	30 × 50	ECS1VBA682M□□300050
	10000	12	10	10.1	35 × 50	ECS1VBA103M□□350050
50 (63) 1H	1000	70	40	4.0	25 × 35	ECS1HBA102M□□250035
	1800	37	24	5.0	25 × 35	ECS1HBA182M□□250035
	2700	24	15	6.9	25 × 40	ECS1HBA272M□□250040
	3900	18	12	8.8	25 × 50	ECS1HBA392M□□250050
	5600	15	11	9.8	30 × 50	ECS1HBA562M□□300050
	6800	13	11	9.9	35 × 50	ECS1HBA682M□□350050
63 (79) 1J	1000	60	40	3.0	25 × 35	ECS1JBA102M□□250035
	1500	39	23	4.9	25 × 35	ECS1JBA152M□□250035
	2200	26	15	6.9	25 × 40	ECS1JBA222M□□250040
	2700	21	12	8.8	25 × 50	ECS1JBA272M□□250050
	3900	16	11	9.5	30 × 50	ECS1JBA392M□□300050
	5600	13	11	9.8	35 × 50	ECS1JBA562M□□350050

Customer products are available on request.