

FEATURES

- RADIAL LEADED POWER INDUCTOR
- HIGH SATURATION CURRENT (UP TO 95 AMPS)
- WIDE VALUE RANGE 1.0 μ H ~ 15,000 μ H
- AVAILABLE WITH HIGH TEMPERATURE SLEEVE
- FOUR CASE SIZES (21.5X16.5mm ~ 28.0X40.0mm)
- BULK PACKAGING ONLY

RoHS Compliant
includes all homogeneous materials

*See Part Number System for Details



CHARACTERISTICS

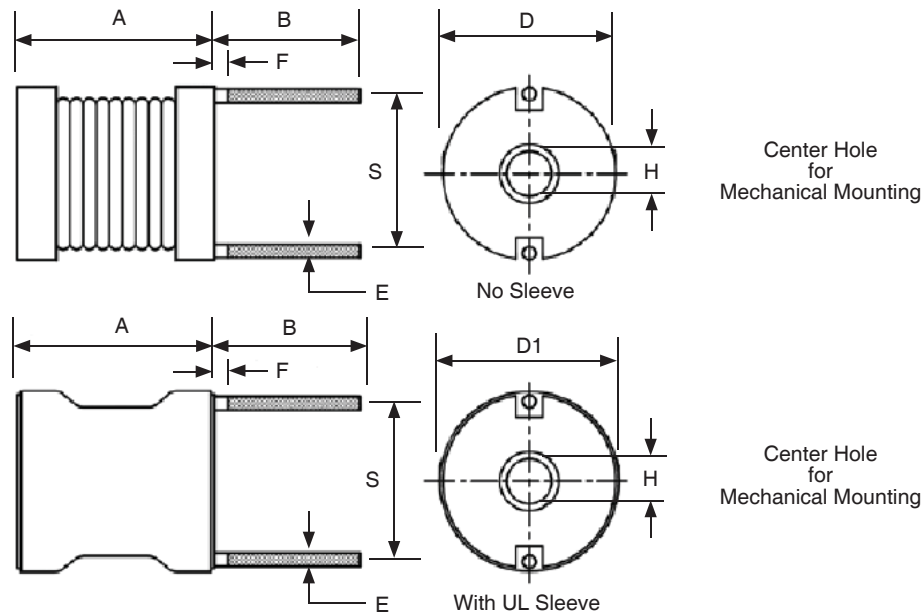
Case Code	NLI142P	NLI182P	NLI262P	NLI352P
Inductance Range (μ H)	1.0 μ H ~ 560 μ H	1.0 μ H ~ 2,200 μ H	1.0 μ H ~ 4,700 μ H	1.8 μ H ~ 15,000 μ H
Ambient Operating Temperature Range	-20°C ~ +80°C			
Maximum Component Temperature (Ambient + Self-Heating)	+120°C			
Temperature Rise at Isat	+25°C			
Inductance Change at Isat	-10%			
Inductance Tolerance	K (\pm 10%), M (\pm 20%)			

DIMENSIONS (mm)

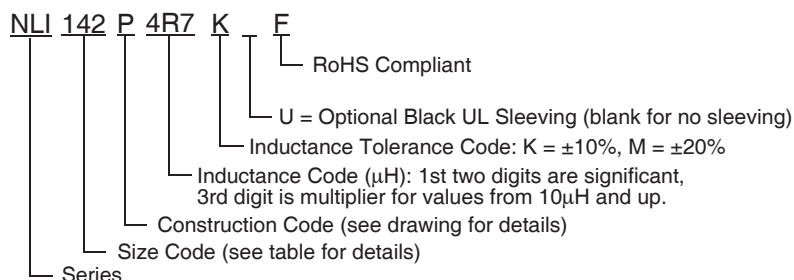
Series	A max.	B \pm 3.0	S Typ.	D max.	F max.	H min.
NLI142P	21.5	15.0	12.0	16.5	1.5	3.0
NLI182P	21.5	15.0	15.0	21.0	1.5	3.0
NLI262P	21.5	15.0	22.0	28.0	1.5	5.0
NLI352P	28.0	15.0	30.0	40.0	1.5	3.6

PACKAGING QUANTITY

Series	Bulk (per bag)
NLI142P	168
NLI182P	108
NLI262P	30
NLI352P	30



PART NUMBER SYSTEM



NLI142P STANDARD VALUES (H = 21.5mm x D = 16.5mm)					
Part Number	Inductance (μH)	Inductance Tolerance*	DCR (Ω) max.	I sat (A)	Suggested Rated AC Current (A)
NLI142P1R0M_F	1	±20%	0.003	28	9.0
NLI142P1R2M_F	1.2	±20%	0.003	26	9.0
NLI142P1R5M_F	1.5	±20%	0.004	23	9.0
NLI142P1R8M_F	1.8	±20%	0.004	21	9.0
NLI142P2R2M_F	2.2	±20%	0.005	19	9.0
NLI142P2R7M_F	2.7	±20%	0.005	17	9.0
NLI142P3R3M_F	3.3	±20%	0.005	15	9.0
NLI142P3R9M_F	3.9	±20%	0.006	14	9.0
NLI142P4R7M_F	4.7	±20%	0.007	13	9.0
NLI142P5R6M_F	5.6	±20%	0.007	12	9.0
NLI142P6R8M_F	6.8	±20%	0.008	11	9.0
NLI142P8R2M_F	8.2	±20%	0.009	10	9.0
NLI142P100K_F	10	±10%	0.01	9.0	9.0
NLI142P120K_F	12	±10%	0.011	8.5	8.5
NLI142P150K_F	15	±10%	0.015	7.5	7.2
NLI142P180K_F	18	±10%	0.016	6.8	6.8
NLI142P220K_F	22	±10%	0.025	6.0	5.5
NLI142P270K_F	27	±10%	0.03	5.5	4.5
NLI142P330K_F	33	±10%	0.04	5.0	4.0
NLI142P390K_F	39	±10%	0.046	4.5	4.0
NLI142P470K_F	47	±10%	0.062	4.0	2.8
NLI142P560K_F	56	±10%	0.069	3.7	2.8
NLI142P680K_F	68	±10%	0.077	3.4	2.8
NLI142P820K_F	82	±10%	0.083	3.1	2.8
NLI142P101K_F	100	±10%	0.095	2.8	2.8
NLI142P121K_F	120	±10%	0.127	2.5	2.0
NLI142P151K_F	150	±10%	0.181	2.3	1.6
NLI142P181K_F	180	±10%	0.217	2.1	1.6
NLI142P221K_F	220	±10%	0.24	1.9	1.6
NLI142P271K_F	270	±10%	0.3	1.7	1.6
NLI142P331K_F	330	±10%	0.336	1.5	1.3
NLI142P391K_F	390	±10%	0.46	1.4	1.0
NLI142P471K_F	470	±10%	0.636	1.3	0.8
NLI142P561K_F	560	±10%	0.696	1.2	0.8

I_{sat} ΔL -10% max., ΔT +25°C max.

* Contact NIC for other tolerance options.

_ Insert letter "U" if sleeving is required



NLI182P STANDARD VALUES (H = 21.5mm x D = 21.0mm)					
Part Number	Inductance (μH)	Inductance Tolerance*	DCR (Ω) max.	I sat (A)	Suggested Rated AC Current (A)
NLI182P1R0M__F	1	±20%	0.003	60	11.4
NLI182P1R2M__F	1.2	±20%	0.003	54	11.4
NLI182P1R5M__F	1.5	±20%	0.003	48	11.4
NLI182P1R8M__F	1.8	±20%	0.003	44	11.4
NLI182P2R2M__F	2.2	±20%	0.004	40	11.4
NLI182P2R7M__F	2.7	±20%	0.005	36	11.4
NLI182P3R3M__F	3.3	±20%	0.005	33	11.4
NLI182P3R9M__F	3.9	±20%	0.005	30	11.4
NLI182P4R7M__F	4.7	±20%	0.005	28	11.4
NLI182P5R6M__F	5.6	±20%	0.006	25	11.4
NLI182P6R8M__F	6.8	±20%	0.007	23	11.4
NLI182P8R2M__F	8.2	±20%	0.007	21	11.4
NLI182P100K__F	10	±10%	0.009	19	11.4
NLI182P120K__F	12	±10%	0.009	17	11.4
NLI182P150K__F	15	±10%	0.013	15	9.0
NLI182P180K__F	18	±10%	0.018	14	7.2
NLI182P220K__F	22	±10%	0.019	13	7.2
NLI182P270K__F	27	±10%	0.026	11	5.5
NLI182P330K__F	33	±10%	0.029	10	5.5
NLI182P390K__F	39	±10%	0.03	9.5	5.5
NLI182P470K__F	47	±10%	0.035	8.8	5.5
NLI182P560K__F	56	±10%	0.039	8.0	5.5
NLI182P680K__F	68	±10%	0.053	7.2	4.8
NLI182P820K__F	82	±10%	0.06	6.6	4.8
NLI182P101K__F	100	±10%	0.08	6.0	4.0
NLI182P121K__F	120	±10%	0.09	5.5	4.0
NLI182P151K__F	150	±10%	0.098	4.8	4.0
NLI182P181K__F	180	±10%	0.11	4.4	4.0
NLI182P221K__F	220	±10%	0.15	4.0	2.8
NLI182P271K__F	270	±10%	0.213	3.6	2.0
NLI182P331K__F	330	±10%	0.305	3.3	1.6
NLI182P391K__F	390	±10%	0.32	3.0	1.6
NLI182P471K__F	470	±10%	0.355	2.7	1.6
NLI182P561K__F	560	±10%	0.388	2.5	1.6
NLI182P681K__F	680	±10%	0.43	2.3	1.6
NLI182P821K__F	820	±10%	0.59	2.1	1.3
NLI182P102K__F	1000	±10%	0.818	1.9	1.0
NLI182P122K__F	1200	±10%	1.14	1.7	0.8
NLI182P152K__F	1500	±10%	1.26	1.5	0.8
NLI182P182K__F	1800	±10%	1.39	1.4	0.8
NLI182P222K__F	2200	±10%	1.54	1.2	0.8

I_{sat} ΔL -10% max., ΔT +25°C max.

* Contact NIC for other tolerance options.

_ Insert letter "U" if sleeving is required



NLI262P STANDARD VALUES (H = 21.5mm x D = 28.0mm)					
Part Number	Inductance (μH)	Inductance Tolerance*	DCR (Ω) max.	I sat (A)	Suggested Rated AC Current (A)
NLI262P3R9M _ F	3.9	±20%	0.003	32	21
NLI262P4R7M _ F	4.7	±20%	0.003	29	21
NLI262P5R6M _ F	5.6	±20%	0.003	26	21
NLI262P6R8M _ F	6.8	±20%	0.004	24	21
NLI262P8R2M _ F	8.2	±20%	0.004	22	21
NLI262P100K _ F	10	±10%	0.006	20	17
NLI262P120K _ F	12	±10%	0.008	18	13.5
NLI262P150K _ F	15	±10%	0.009	16	13.5
NLI262P180K _ F	18	±10%	0.01	15	13.5
NLI262P220K _ F	22	±10%	0.011	13.5	13.5
NLI262P270K _ F	27	±10%	0.012	12	13.5
NLI262P330K _ F	33	±10%	0.017	11	13.5
NLI262P390K _ F	39	±10%	0.022	10	11.4
NLI262P470K _ F	47	±10%	0.024	9.2	9.0
NLI262P560K _ F	56	±10%	0.026	8.5	9.0
NLI262P680K _ F	68	±10%	0.029	7.6	9.0
NLI262P820K _ F	82	±10%	0.032	7.0	9.0
NLI262P101K _ F	100	±10%	0.034	6.5	9.0
NLI262P121K _ F	120	±10%	0.046	5.8	7.2
NLI262P151K _ F	150	±10%	0.064	5.2	5.5
NLI262P181K _ F	180	±10%	0.072	4.7	5.5
NLI262P221K _ F	220	±10%	0.08	4.3	5.5
NLI262P271K _ F	270	±10%	0.11	3.9	4.5
NLI262P331K _ F	330	±10%	0.122	3.5	4.5
NLI262P391K _ F	390	±10%	0.169	3.2	4.0
NLI262P471K _ F	470	±10%	0.187	2.9	4.0
NLI262P561K _ F	560	±10%	0.205	2.7	4.0
NLI262P681K _ F	680	±10%	0.256	2.4	2.8
NLI262P821K _ F	820	±10%	0.288	2.2	2.8
NLI262P102K _ F	1000	±10%	0.426	2.0	2.0
NLI262P122K _ F	1200	±10%	0.462	1.8	2.0
NLI262P152K _ F	1500	±10%	0.518	1.6	2.0
NLI262P182K _ F	1800	±10%	0.705	1.5	1.6
NLI262P222K _ F	2200	±10%	1.02	1.3	1.3
NLI262P272K _ F	2700	±10%	1.14	1.2	1.3
NLI262P332K _ F	3300	±10%	1.27	1.1	1.3
NLI262P392K _ F	3900	±10%	1.67	1.0	1.0
NLI262P472K _ F	4700	±10%	1.86	0.9	1.0

I_{sat} ΔL -10% max., ΔT +25°C max.

* Contact NIC for other tolerance options.

_ Insert letter "U" if sleeving is required



NLI352P STANDARD VALUES (H = 28.0mm x D = 40.0mm)					
Part Number	Inductance (μH)	Inductance Tolerance*	DCR (Ω) max.	I sat (A)	Suggested Rated AC Current (A)
NLI352P3R9M _ F	3.9	±20%	0.003	95	27
NLI352P4R7M _ F	4.7	±20%	0.003	95	27
NLI352P5R6M _ F	5.6	±20%	0.004	79	27
NLI352P6R8M _ F	6.8	±20%	0.004	79	27
NLI352P8R2M _ F	8.2	±20%	0.004	69	27
NLI352P100K _ F	10	±10%	0.005	61	27
NLI352P120K _ F	12	±10%	0.005	55	27
NLI352P150K _ F	15	±10%	0.006	49	27
NLI352P180K _ F	18	±10%	0.008	41	27
NLI352P220K _ F	22	±10%	0.009	38	21
NLI352P270K _ F	27	±10%	0.010	36	21
NLI352P330K _ F	33	±10%	0.011	31	21
NLI352P390K _ F	39	±10%	0.012	28	21
NLI352P470K _ F	47	±10%	0.018	27	14.4
NLI352P560K _ F	56	±10%	0.019	26	14.4
NLI352P680K _ F	68	±10%	0.021	25	14.4
NLI352P820K _ F	82	±10%	0.023	23	14.4
NLI352P101K _ F	100	±10%	0.025	20	14.4
NLI352P121K _ F	120	±10%	0.028	18	14.4
NLI352P151K _ F	150	±10%	0.040	17	11.4
NLI352P181K _ F	180	±10%	0.045	15	11.4
NLI352P221K _ F	220	±10%	0.050	13	11.4
NLI352P271K _ F	270	±10%	0.056	12	11.4
NLI352P331K _ F	330	±10%	0.074	11	11.4
NLI352P391K _ F	390	±10%	0.082	10	9.0
NLI352P471K _ F	470	±10%	0.114	9.2	7.2
NLI352P561K _ F	560	±10%	0.125	8.3	7.2
NLI352P681K _ F	680	±10%	0.139	7.6	7.2
NLI352P821K _ F	820	±10%	0.154	6.8	7.2
NLI352P102K _ F	1000	±10%	0.216	6.2	5.5
NLI352P122K _ F	1200	±10%	0.232	5.7	5.5
NLI352P152K _ F	1500	±10%	0.324	5.1	4.5
NLI352P182K _ F	1800	±10%	0.360	4.6	4.5
NLI352P222K _ F	2200	±10%	0.494	4.2	4.0
NLI352P272K _ F	2700	±10%	0.555	3.8	4.0
NLI352P332K _ F	3300	±10%	0.773	3.4	2.8
NLI352P392K _ F	3900	±10%	0.845	3.1	2.8
NLI352P472K _ F	4700	±10%	1.14	2.9	2.0
NLI352P562K _ F	5600	±10%	1.60	2.5	2.0
NLI352P682K _ F	6800	±10%	1.76	2.3	1.6
NLI352P822K _ F	8200	±10%	1.95	2.0	1.6
NLI352P103K _ F	10000	±10%	2.76	1.8	1.3
NLI352P123K _ F	12000	±10%	3.04	1.7	1.3
NLI352P153K _ F	15000	±10%	3.39	1.5	1.3

I_{sat} ΔL -10% max., ΔT +25°C max.

* Contact NIC for other tolerance options.

_ Insert letter "U" if sleeving is required

