



Quartz Crystal · MQ5-SMC

- UM5-SMD Crystal Version · 9.7 x 7.7 mm
- automotive temperature range available
- reflow soldering temperature: 260 °C max.
- package height 3.6 mm max.



RoHS compliant



Pb free



REACH compliant



Conflict mineral free



actual size

GENERAL DATA

TYPE	MQ5 (UM5-SMC)
frequency range	10.0 ~ 40.0 MHz (fund. AT-cut) 30.0 ~ 105.0 MHz (3rd OT AT-cut) 50.0 ~ 175.0 MHz (5th OT AT-cut) 70.0 ~ 250.0 MHz (7th OT AT-cut)
frequency tolerance at 25 °C	±5 ppm ~ ±30 ppm
load capacitance C_L	8 pF ~ 30 pF or series
shunt capacitance C_0	< 7 pF
storage temperature	-55 °C ~ +125 °C
drive level max.	500 µW (100 µW recommended)
aging	< ±3 ppm first year

ESR (SERIES RESISTANCE RS)

frequency in MHz	vibration mode	ESR max. in Ω	ESR typ. in Ω
10.0 ~ 19.999	fund. - AT	60	40
20.0 ~ 40.000	fund. - AT	40	20
30.0 ~ 79.999	3rd OT - AT	100	50
80.0 ~ 105.00	3rd OT - AT	80	40
50.0 ~ 59.999	5th OT - AT	250	150
60.0 ~ 129.99	5th OT - AT	200	100
130.0 ~ 175.00	5th OT - AT	180	120
70.0 ~ 129.99	7th OT - AT	250	180
130.0 ~ 250.00	7th OT - AT	200	150

DIMENSIONS

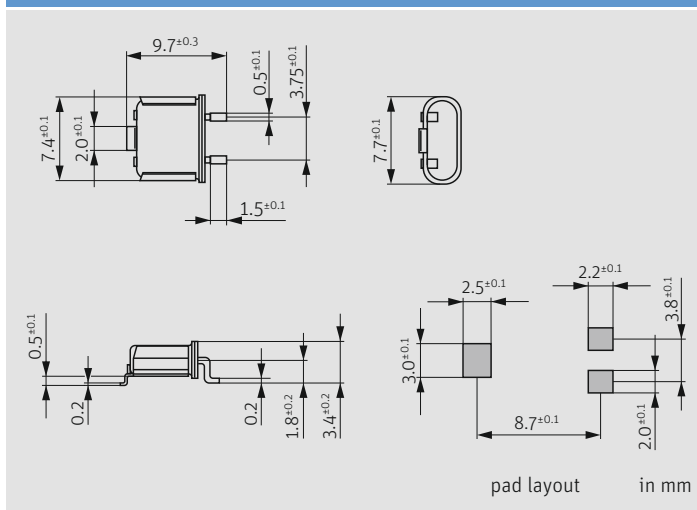


TABLE 1: FREQUENCY STABILITY VS. TEMPERATURE

	±3 ppm	±5 ppm	±10 ppm	±30 ppm	±50 ppm	±100 ppm
0 °C ~ +60 °C	○	○	○			
-20 °C ~ +70 °C	STD.	○	○	●		
-40 °C ~ +85 °C	T1		○	○	●	
-40 °C ~ +90 °C	T4			○	○	○
-40 °C ~ +105 °C	T2			○	○	○
-40 °C ~ +125 °C	T3					○

● standard ○ available

MARKING

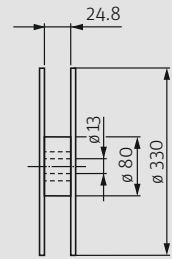
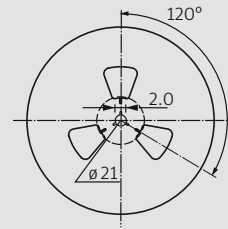
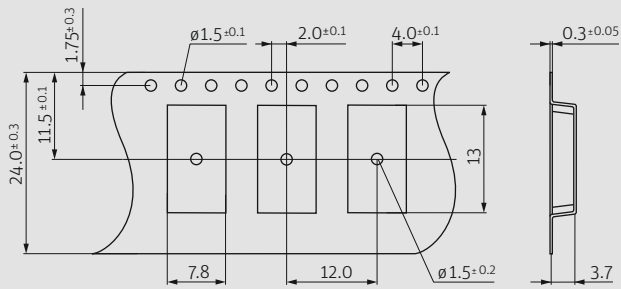
frequency
company code / date code

ORDER INFORMATION

Q	frequency	type	load capacitance in pF	tolerance at 25 °C	stability vs. temp. range	option	SMD version
Quartz	10.0 ~ 250.0 MHz	MQ5	8 pF ~ 30 pF S for series	±5 ppm ~ ±30 ppm	see table	blank = -20 °C ~ +70 °C T1 = -40 °C ~ +85 °C T2 = -40 °C ~ +105 °C T3 = -40 °C ~ +125 °C T4 = -40 °C ~ +90 °C FU = for fundamental frequencies ≥ 20 MHz 30T = 3rd overtone 50T = 5th overtone 70T = 7th overtone	SMC

Example: Q 30.0-MQ5-30-30/50-T1-FU-SMC-LF (Suffix LF = RoHS compliant / Pb free pins)

TAPING SPECIFICATION

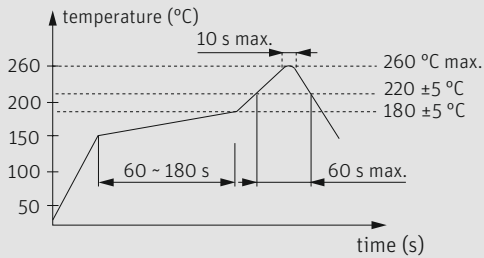


1000 pcs per reel

Direction of feed

in mm

REFLOW SOLDERING PROFILE



note: parts are also suitable for soldering systems with lead (Pb) content

MARKING

frequency
company code / date code